



IF IN DOUBT ASK  
DO NOT SCALE

A

B

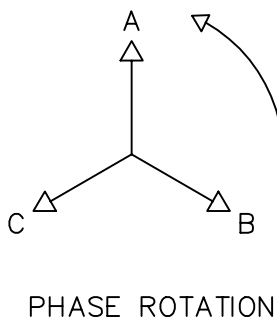
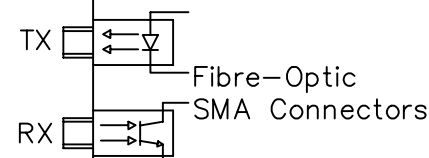
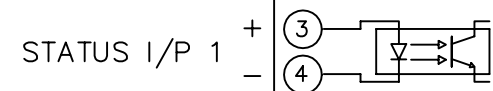
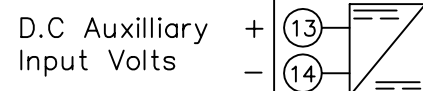
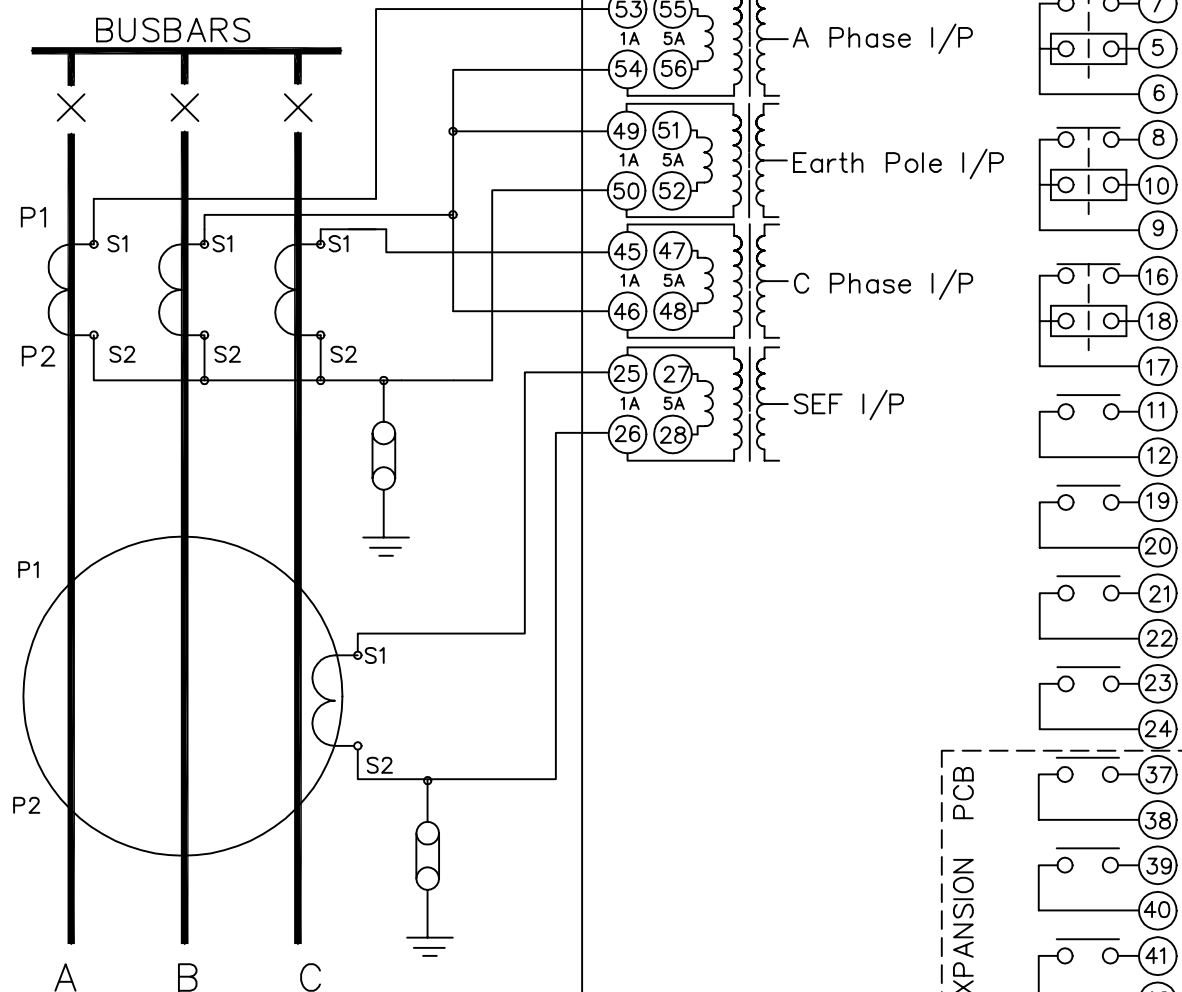
C

D

E

F

DCD42x B R6 Case Size



MATERIAL:

Dimensions in millimetres : Surface texture in micrometres.  
Machine where marked ✓  
For explanation of dimensions, tolerances, notes etc. see B.S.308.  
Limit on untoleranced unmachined dimensions ± \_\_\_\_\_  
Limits on untoleranced machined dimensions to B.S.4500;  
i.e. up to 6±0.1; over 30 to 120±0.3; over 315±0.8;  
over 6 to 30±0.2; over 120 to 315±0.5;  
General unmachined angular tolerance ± \_\_\_\_\_

Finish:

Treatment:

Title:  
TYPICAL SCHEMATIC DIAGRAM FOR 2 PHASE + E/F + SEF.  
DCD OVERCURRENT RELAY

**Reyrolle Protection  
Hebburn.**

Original Scale.  
NTS

First used on:  
Similar Articles: 2434W10034  
Supersedes:

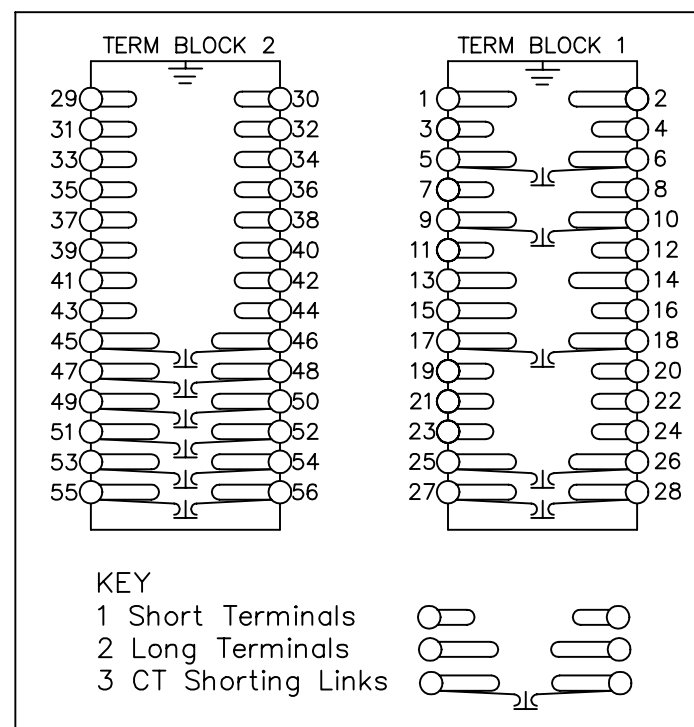
Dr. No.  
**2434W10019**

NOTES

- 1 CT CIRCUITS ARE SHOWN CONNECTED TO RELAY 1 AMP TAP. USE ALTERNATIVE TAP FOR 5AMP RATED CTs.
- 2 CT & EARTH CONNECTIONS ARE TYPICAL ONLY.
- 3 METROSIL & SETTING RESISTORS ARE REQUIRED FOR HIGH IMPEDANCE & RESTRICTED E/F APPLICATIONS.
- 4 FOR TERMINAL DIAGRAM SEE 2434W20001 (A2)
- 5 DRG SHOWS OPTION A (7 O/P. 1 I/P).  
DRG SHOWS OPTION B (11 O/P. 5 I/P).

**NOT SUBJECT TO UPDATE  
ONCE COPIED / PRINTED  
OR DOWNLOADED**

TERMINAL BLOCKS VIEWED FROM REAR



3	16/10/97	MN434/103
2	12/11/96	MN434/42
1	21/10/97	CHANGE NOTED

Copyright © Reyrolle Ltd.

DRAWN M LEASK	CHECKED	APPROVED R.D.WATSON	DATE 23/07/02	IE	OPS	PCP	Purch.Spec. TQ	EAC	CE	STD	A3
---------------	---------	---------------------	---------------	----	-----	-----	----------------	-----	----	-----	----